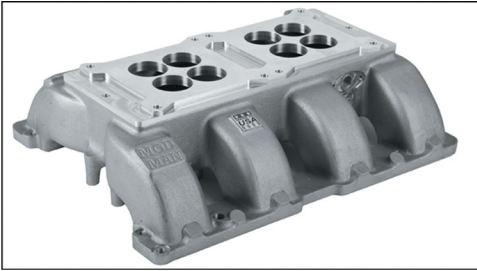


HEMI

GEN III PARTS

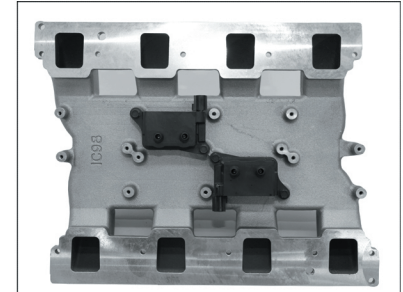
Let Indy Convert You. We Make Carbureting Your Gen III Hemi A Walk In The Park!



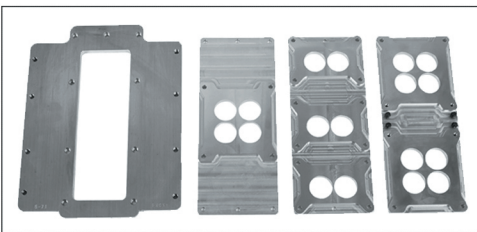
5.7 / 6.1 Mod Man With 2 x 4 Top



Indy Polished Valve Covers, Spark Plug Wires,
And MSD Hemi 6 Ignition Module

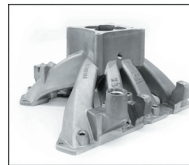


Bottom View Mod Man With
Coil Packs Installed

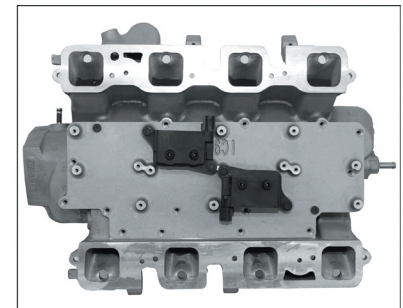


Supercharger, Single 4, 6 Pack and
2 x 4 Tops For 4150 Throttle Bodies

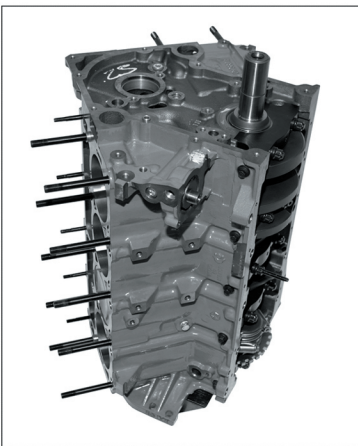
By combining our Mod Man intake, MSD Hemi 6 ignition module, valve covers and spark plug wires you can have your carbureted Gen III Hemi running in no time.



Drag Pak
Intake manifold

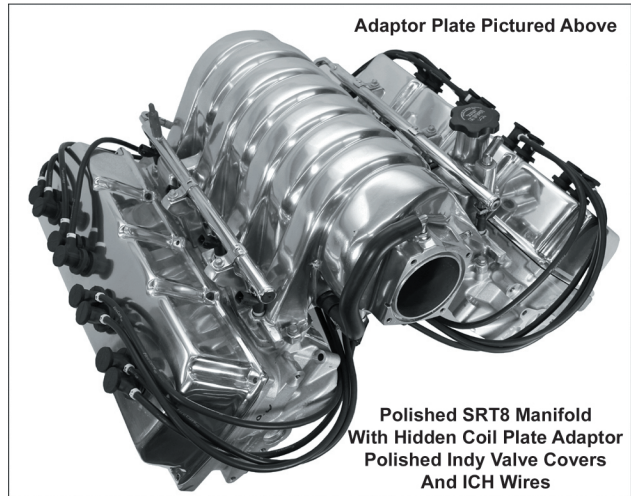


Bottom view Of Stock SRT8 Manifold With Indy's
Hidden Coil Adaptor Plate And Coil Packs Installed



New 426" Gen III Short Block

- Machined cast iron 6.1 block
- 4.090" bore
- Billet main caps
- Compstar crank
- Compstar H Beam rods
- Mahle coated pistons (10.3 to 1)
- Rings, bearings, internal balanced
- ARP main and head studs
- Assembled
- Custom short blocks available...call
- Aluminum 6.1 blocks available



Adaptor Plate Pictured Above

Polished SRT8 Manifold
With Hidden Coil Plate Adaptor
Polished Indy Valve Covers
And ICH Wires

Check out these Indy Features



All 4.050" Stroker cranks are gun drilled. All four rod pins are drilled to remove weight. New billet toner wheels are standard.

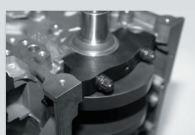


Notice the dual keys for the harmonic damper or blower drive hub. This is **not** found on a stock crank!



The 4.050" stroke crank in the rotating kit will fit either the 6.1 / "426" or the 5.7 / "392" cu in.

6.1: # 6.1-R6-426
5.7: # 5.7-R6-392



Steel billet main caps with ARP main studs and 12 point nuts. Replaces powdered metal caps on stock 6.1 blocks. Black oxide finish.



Only 55 lbs!

Carries 4340 material crankshafts are 1200 horsepower rated and weigh only 55 lbs! New billet toner wheel and two keys for the balancer.



State of the art 5 axis porting assures these are the best flowing heads available. 370 cfm with a standard 2.080 intake valve.

New Legend Rotating Kit



- Compstar crank (4.050" x 2.100)
- Compstar H Beam rods (6.125 x .927)
- Mahle coated pistons (10.3 to 1)
- Rings, bearings
- Internal balanced
- Manley kits available

We also offer complete crate motors, assembled short blocks and rotating kits, for the 392 / 5.7 and 426 / 6.1 ... see the price sheet for all the details and cost.

Call: 317-862-3724 Fax: 317-862-6300 Web: indyheads.com Email: techline@indyheads.com

Hemi is a trademark of the Chrysler Corporation and is used for identification purposes only

Not legal for use or sale on pollution controlled vehicles